

[TopPage](#)>>[Search Result](#)>>7224DB

# Angular Contact Ball Bearings

Bearing No. : **NACHI 7224DB**

■ Bearing Type

■ Clearance

■ Tolerance Class

### Dimensions

$d = 120$   
0  
-0.020

$D = 215$   
0  
-0.030

$B = 40$   
0  
0.000

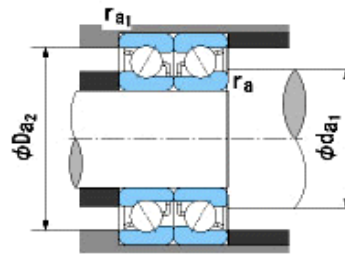
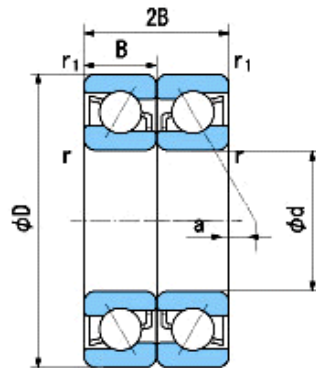
$r = 2.1 \sim 4$   
(Radial Direction)

$r = 2.1 \sim 6.5$   
(Axial Direction)

$r_1 = 1.1 \sim 2$   
(Radial Direction)

$r_1 = 1.1 \sim 3.5$   
(Axial Direction)

$a = 28.4$



### Dimensions

$da_1(\min) = 132$   
 $da_2(\min) = 127$   
 $Da_1(\max) = 203$   
 $Da_2(\max) = 208$   
 $ra(\max) = 2$   
 $ra_1(\max) = 1$   
Mass = 12.1 kg

Basic Dynamic Load Rating  $C_r$  : **295,000** N

Basic Static Load Rating  $C_o$  : **360,000** N

Limiting Speed ;

Grease Lubrication : **2,100**  $\text{min}^{-1}$

Oil Lubrication : **2,700**  $\text{min}^{-1}$

	INNER RING	OUTER RING
O.D.Surface Runout with Side :		-
Axial Runout with Bore :	-	-
Axial Runout with Raceway :	-	-
Width Variation :	<b>0.025</b>	<b>0.025</b>
Radial Runout :	<b>0.025</b>	<b>0.050</b>